

Article datasheet

## Fuse holder 5x20mm with bayonet cap LCP black UL94-V0/6.3A 250V/IP40

Article-No.: 015.06.595

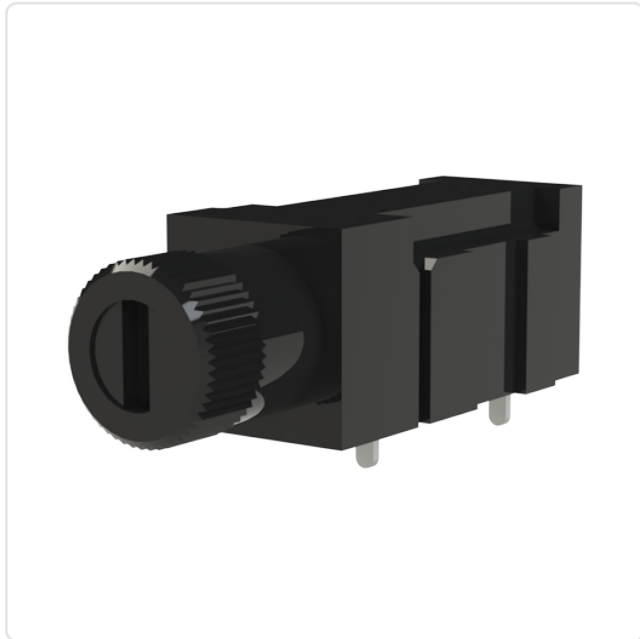
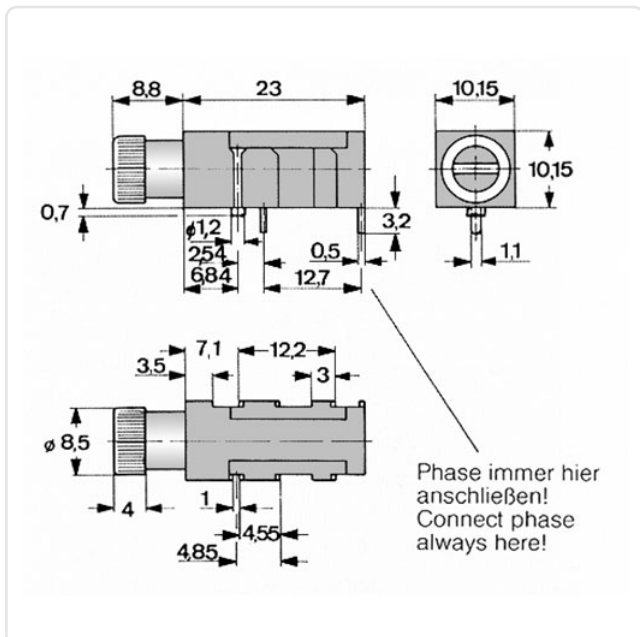


Image may be similar

Amperage [A]: 6.3  
 Fuse Size [mm]: 5.0x20.0  
 Material: Plastic  
 Material Group: Plastic  
 Model: Fuse Holder  
 Mounting Hole [mm]: 8.1  
 Protection Code: IP40  
 Weight: 4.08g  
 Conformities:



You can find all information on the web on our article detail page



Would you like individual advice?

We look forward to your email to [products@ettinger.de](mailto:products@ettinger.de).

Subject to change and errors.