

Article datasheet

Solder Terminal $\varnothing 1.8 \times 5.4 \text{mm}$ Brass gold-plated

Article-No.: 013.71.434

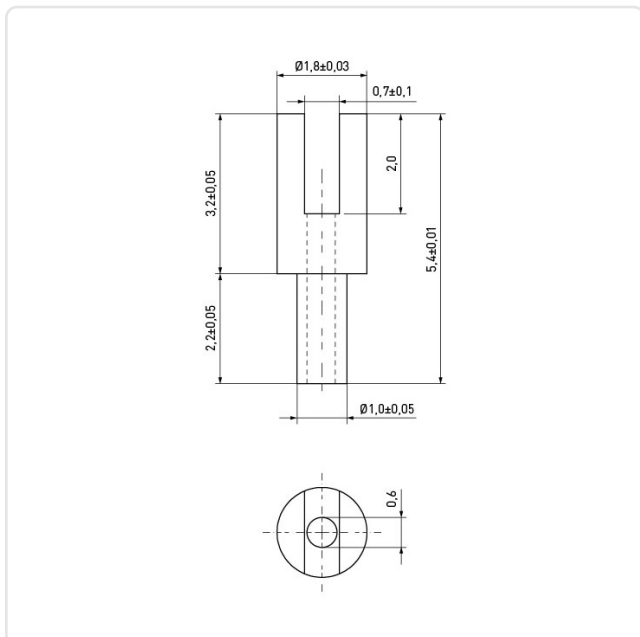


Image may be similar

Diameter [mm]: 1.8
Finish: Gold-Plated
Length [mm]: 5.4
Material: Brass
Material Group: Brass
Model: round
PCB Hole \varnothing [mm]: 1
Weight: 0.05g
Conformities:



You can find all information on the web on our article detail page



Would you like individual advice?

We look forward to your email to products@ettinger.de.

Subject to change and errors.