

Article datasheet

Hole Plug $\varnothing 10.0/12.0\text{mm}$ Polyethylene,natural/Not UL-listed

Article-No.: 014.10.103

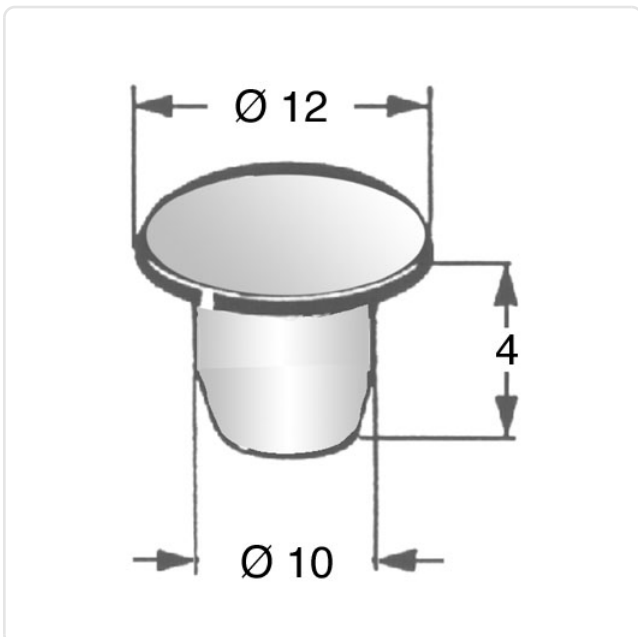


Image may be similar

Color: Natural
Inner Diameter [mm]: 10
Material: PE - Polyethylene
Material Group: Kunststoff
Model: Hole Plug
Outer Diameter [mm]: 12
Weight: 0.26g
Conformities:



You can find all
information on the web on
our article detail page



Would you like individual advice?

We look forward to your email to products@ettinger.de.

Subject to change and errors.