

Article datasheet

PC Mount Screw Terminal \varnothing 4mm Brass tinned without thread and screw

Article-No.: 013.42.020

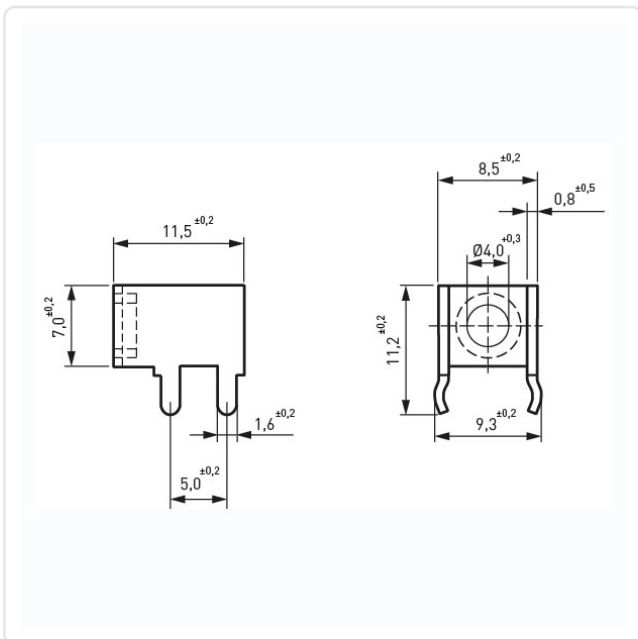


Image may be similar

Amperage [A]: 15
Finish: Tin-Plated
Grid [mm]: 5.0
Material: Brass
Material Group: Brass
PCB Hole \varnothing [mm]: 1.8
Weight: 1.52g
Conformities:



You can find all
information on the web on
our article detail page



Would you like individual advice?

We look forward to your email to products@ettinger.de.

Subject to change and errors.