

Article datasheet

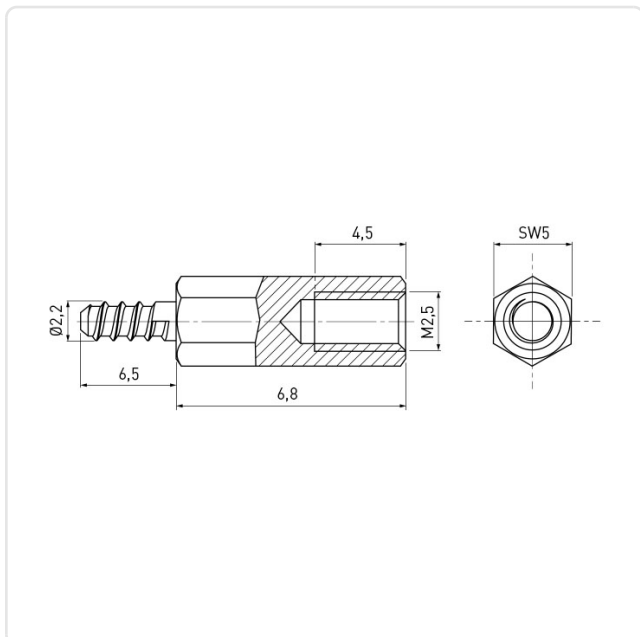
## Standoff Galvanized Steel Self-Tapping AF5x6.8 F=M2.5x4.5 M=ST2.2x6.5 w/ UC

Article-No.: 005.20.107



Image may be similar

|                            |                              |
|----------------------------|------------------------------|
| AF / OD [mm]:              | 5                            |
| Female Thread Length [mm]: | 4.5                          |
| Female Thread Size:        | M2.5                         |
| Finish:                    | Galvanized, Blue, 5 µm, A2K  |
| Length [mm]:               | 6.8                          |
| Male Thread Length [mm]:   | 6.5                          |
| Male Thread Size:          | ST2.2 Self-Tapping           |
| Material:                  | Steel AISI 12L13 / 11SMnPb30 |
| Material Group:            | Steel                        |
| Profile:                   | Hexagonal                    |
| Undercut:                  | Yes                          |
| Weight:                    | 1.08g                        |
| Conformities:              |                              |



You can find all information on the web on our article detail page

Would you like individual advice?

We look forward to your email to [products@ettinger.de](mailto:products@ettinger.de).

Subject to change and errors.