

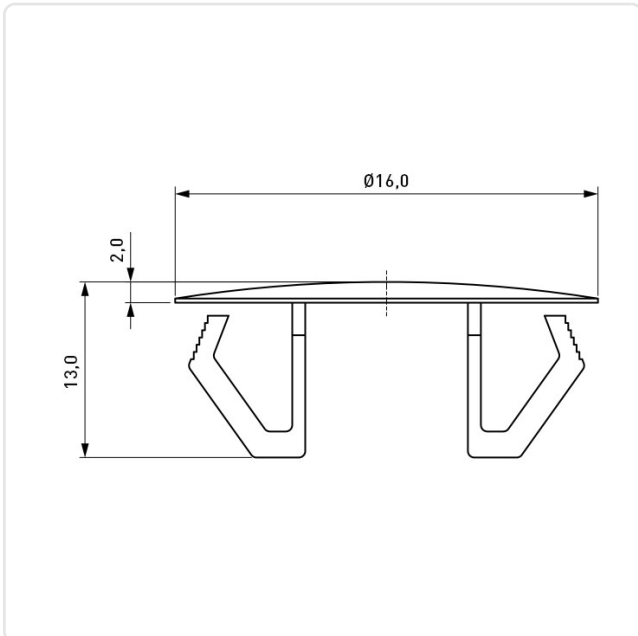
Article datasheet

## Cover Caps / $\varnothing 16.0 \times 12.6$ PA black/Hole $\varnothing 11.0-13.0$

Article-No.: 014.17.090



Image may be similar



Color: Black  
Flammability Class: UL94-HB  
Head Diameter [mm]: 16  
Material: ABS - Acrylonitrile Butadiene Styrene  
Material Group: Kunststoff  
Model: SNAP Cover Cap  
Mounting Hole [mm]: 11  
Panel Thickness [mm]: 0,8 - 3,2 mm  
Weight: 0.6g  
Conformities:



You can find all  
information on the web on  
our article detail page

Would you like individual advice?

We look forward to your email to [products@ettinger.de](mailto:products@ettinger.de).

Subject to change and errors.