

Article datasheet

Ground Terminal $\varnothing 5,3/\varnothing 9,5 \times 13,5$ mm Brass nickel-plated 0.5mm thick

Article-No.: 019.07.053

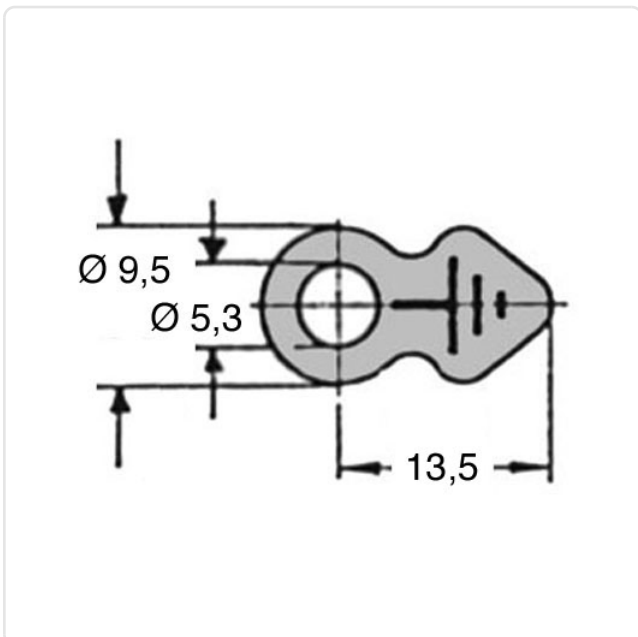


Image may be similar

Finish: Nickel-Plated, 3 μ m, E1E
Inner Diameter [mm]: 5.3
Length [mm]: 13.5
Material: Brass CW508L / CuZn37, lead-free
Material Group: Brass
Outer Diameter [mm]: 9.5
Weight: 0.45g
Conformities:



You can find all information on the web on our article detail page



Would you like individual advice?

We look forward to your email to products@ettinger.de.

Subject to change and errors.