

Article datasheet

Hand Tool for Round Nuts $\varnothing 13.5$ Galvanized Steel

Article-No.: 063.00.000

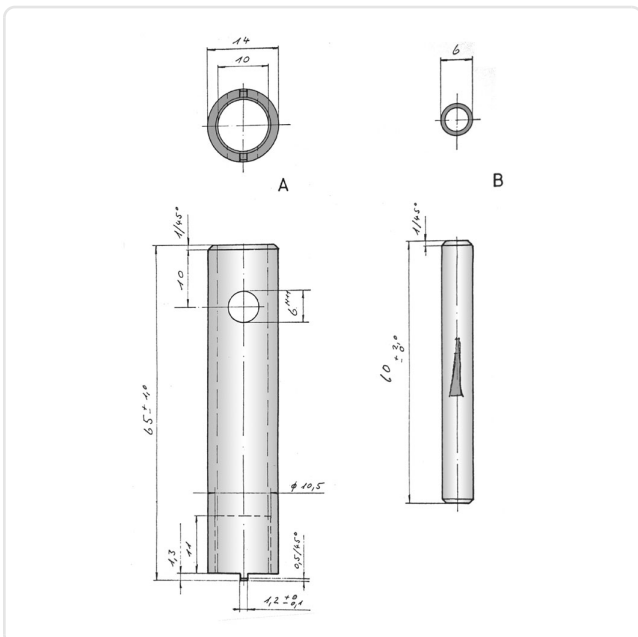


Image may be similar

AF / OD [mm]: 14
 Finish: Galvanized, Blue, 5 μ m, A2K
 Height [mm]: 65
 Material: Case-Hardened Steel
 Material Group: Stahl
 Weight: 52.8g
 Conformities:



You can find all information on the web on our article detail page



Would you like individual advice?

We look forward to your email to products@ettinger.de.

Subject to change and errors.