

Article datasheet

Combination Nut M3 Galvanized Steel 8 Toothed Lock Washer

Article-No.: 002.29.631

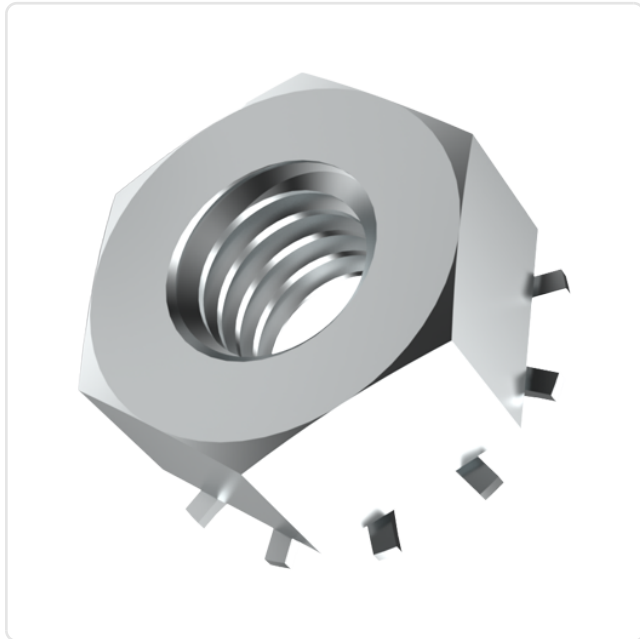
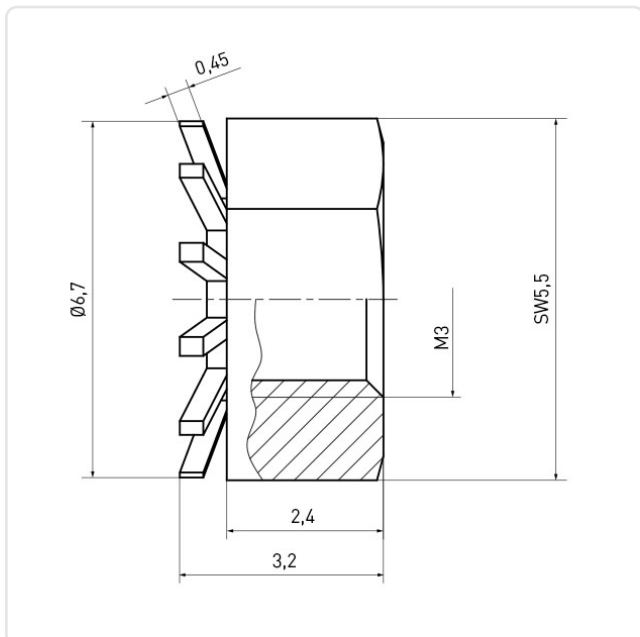


Image may be similar

AF / OD [mm]: 5.5
Finish: Galvanized, Blue, 5 µm, A2K
Height [mm]: 3.3
Material: Steel - Grade 8
Material Group: Steel
Thread Size: M3
Weight: 0.4g
Conformities:



You can find all
information on the web on
our article detail page



Would you like individual advice?

We look forward to your email to products@ettinger.de.

Subject to change and errors.