

Article datasheet

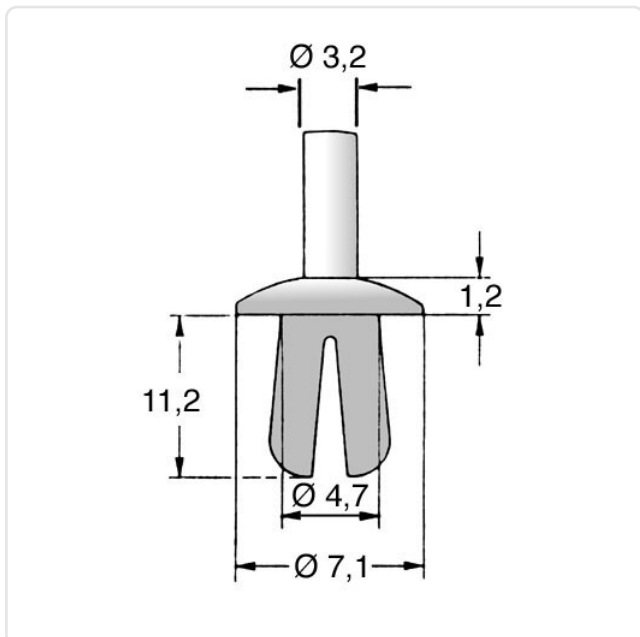
Drive Rivet Ø4.7 | 4.0-8.7 Polyamide 6.6 natural

Article-No.: 072.13.481



Image may be similar

Color:	Natural
Flammability Class:	UL94-V2
Head Diameter [mm]:	7.1
Head Height [mm]:	1.2
Length [mm]:	11.2
Mandrel Diameter [mm]:	3.2
Material:	PA 6.6
Material Group:	Plastic
Model:	not removable
Mounting Hole Range [mm]:	Ø 4.8-5.4
Panel Thickness [mm]:	4.0-8.7
Rivet Diameter [mm]:	4.7
Weight:	0.25g
Conformities:	



You can find all information on the web on our article detail page

Would you like individual advice?

We look forward to your email to products@ettinger.de.

Subject to change and errors.