

Article datasheet

## Retaining Ring $\text{\O}5.0/11.5 \times 1.3$ A2 Plain Stainless Steel

Article-No.: 003.15.459

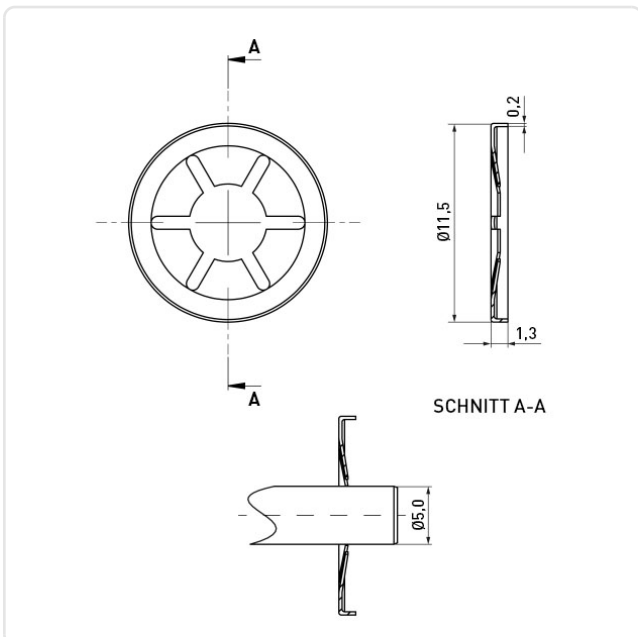


Image may be similar

Finish: Plain  
Height [mm]: 1.3  
Material: Stainless Steel AISI 304 / A2  
Material Group: Stahl rostfrei  
Outer Diameter [mm]: 11.5  
Weight: 0.17g  
Conformities:



You can find all  
information on the web on  
our article detail page



Would you like individual advice?

We look forward to your email to [products@ettinger.de](mailto:products@ettinger.de).

Subject to change and errors.