

Article datasheet

Cable Lug Pin Type DIN 46231 A Copper tinned/PVC 4-6mm²/AWG10-12

Article-No.: 018.54.414

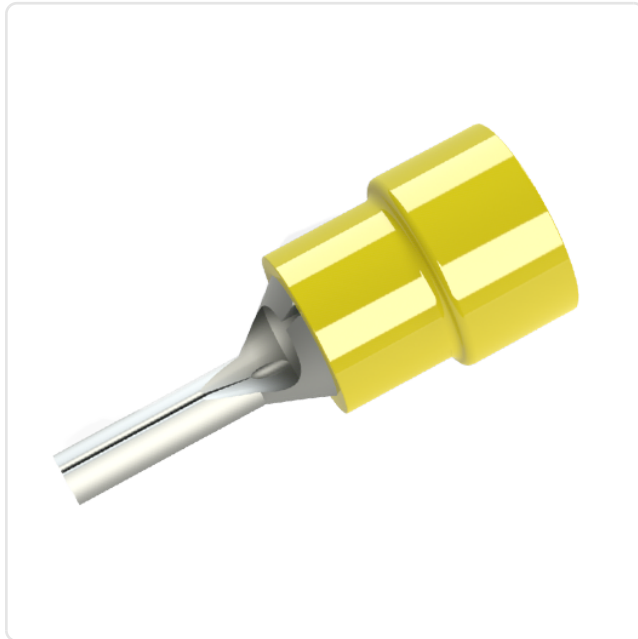
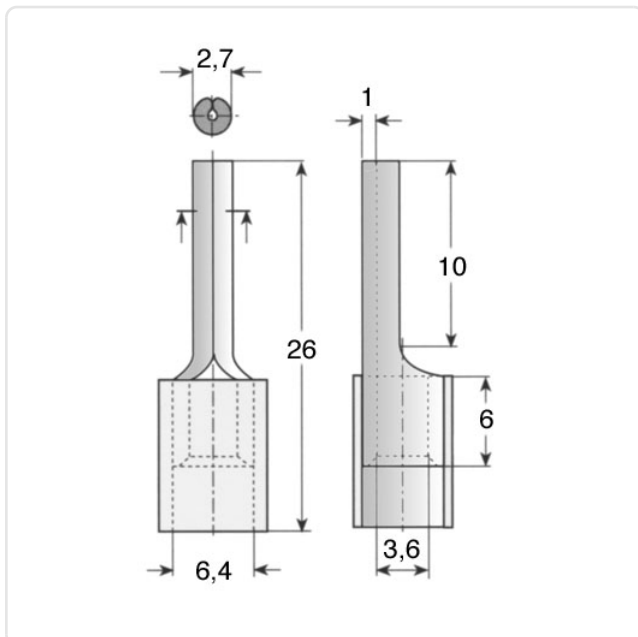


Image may be similar

Color:	Yellow
DIN/ISO:	DIN46231-A
Finish:	Tin-Plated
Insulation:	PVC
Material:	Electrolytic Copper
Outer Diameter [mm]:	2.7
Wire Cross Section [mm ²]:	4.0-6.0
Weight:	1.85g
Conformities:	



You can find all information on the web on our article detail page



Would you like individual advice?

We look forward to your email to products@ettinger.de.

Subject to change and errors.