

Article datasheet

## Wing Nut DIN315 M4 Galvanized Steel

Article-No.: 002.26.041

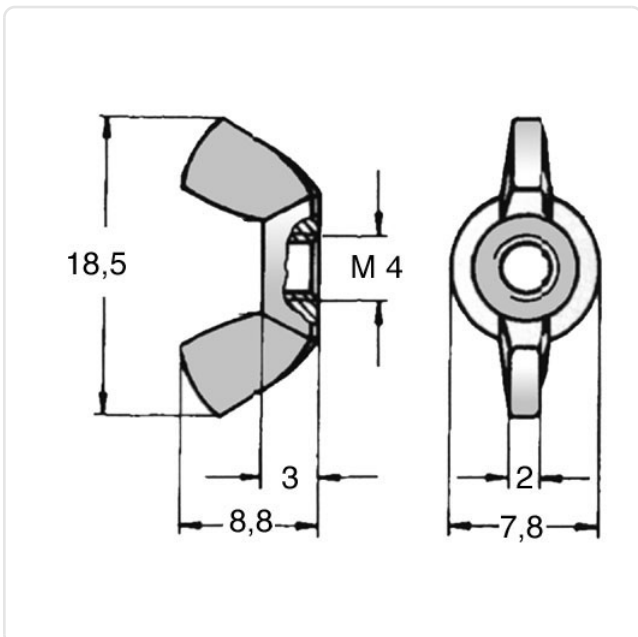


Image may be similar

AF / OD [mm]: 7.8  
DIN/ISO: DIN315  
Finish: Galvanized, Blue, 5 µm, A2K  
Height [mm]: 8.8  
Material: Steel AISI 12L13 / 11SMnPb30  
Material Group: Steel  
Thread Size: M4  
Weight: 1.75g  
Conformities:



You can find all information on the web on our article detail page



Would you like individual advice?

We look forward to your email to [products@ettinger.de](mailto:products@ettinger.de).

Subject to change and errors.