

Article datasheet

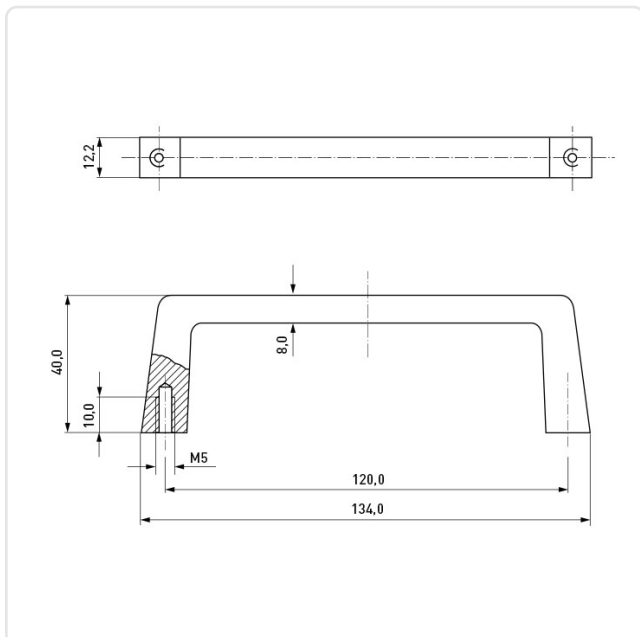
## Square Handle 120.0/12/40 M5 thread Aluminium,black/without assembling

Article-No.: 029.17.120



Image may be similar

Color:	Black
Dist. Mounting Holes [mm]:	120
Finish:	Anodized, Black
Height [mm]:	40
Material:	Aluminum ENAW-6060 / AlMgSi, lead-free
Material Group:	Aluminum
Model:	Equipment Handle
Thread Size:	M5
Width [mm]:	12
Weight:	54g
Conformities:	



You can find all information on the web on our article detail page

Would you like individual advice?

We look forward to your email to [products@ettinger.de](mailto:products@ettinger.de).

Subject to change and errors.