

Article datasheet

Screw-On Bumper Ø30.0x15.0 PVC black

Article-No.: 017.54.301

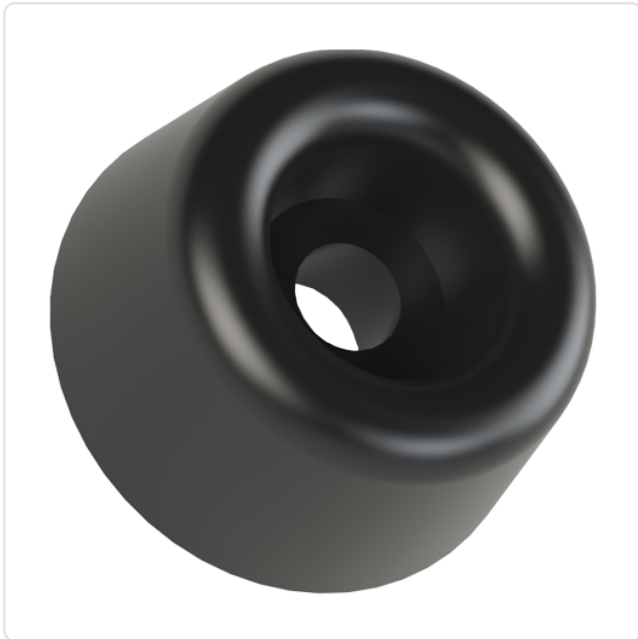
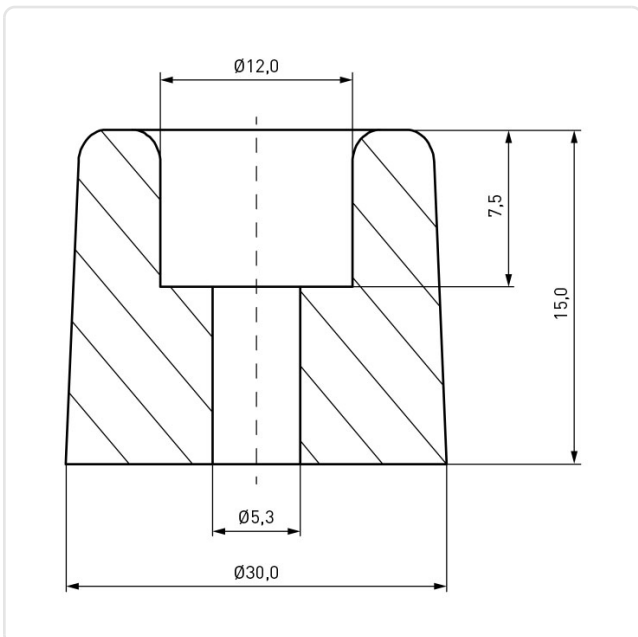


Image may be similar

Bumper Design:	Round, Tapered
Color:	Black
Diameter [mm]:	30
Height [mm]:	15
Material:	PVC - Polyvinyl Chloride
Mounting Hole [mm]:	5.3
Weight:	7.38g
Conformities:	



You can find all
information on the web on
our article detail page



Would you like individual advice?

We look forward to your email to products@ettinger.de.

Subject to change and errors.