

Article datasheet

Serrated Washer DIN6798 A $\text{\O}4.3/8.0 \times 0.5$ Phosphated Spring Steel

Article-No.: 003.54.040

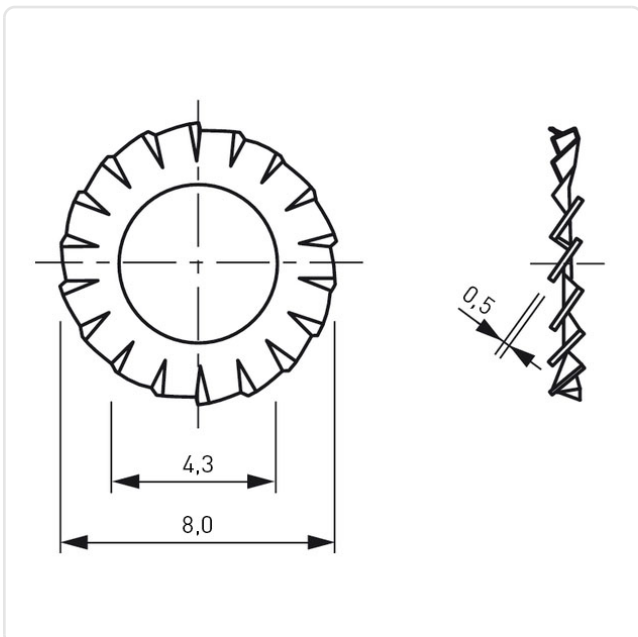


Image may be similar

DIN/ISO: DIN6798A
Finish: Phosphated
For Thread Size: M4
Height [mm]: 0.5
Inner Diameter [mm]: 4.3
Material: Spring Steel
Outer Diameter [mm]: 8
Weight: 0.11g
Conformities:



You can find all information on the web on our article detail page



Would you like individual advice?

We look forward to your email to products@ettinger.de.

Subject to change and errors.