

Article datasheet

Twist Lock Standoff 19.1mm Polyamid 66 natural UL94-V2 E70062

Article-No.: 072.63.451

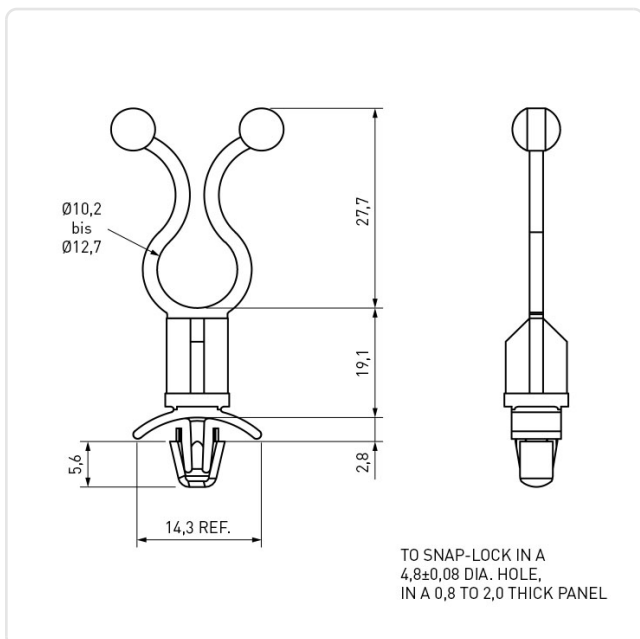


Image may be similar

Bundle Diameter [mm]: 10,0-15,0
Color: Natural
Flammability Class: UL94-V2
Material: PA 6.6
Model: Plug-In Foot
Weight: 1.21g
Conformities:



You can find all information on the web on our article detail page



Would you like individual advice?

We look forward to your email to products@ettinger.de.

Subject to change and errors.