

Article datasheet

## Cap for COM-Knob $\varnothing$ 31 mm

Article-No.: 028.31.104

Manufacturer: OKW Gehäusesysteme

Manufacturer article-no.: A32.31.004

**OKW**  
GEHÄUSE  
SYSTEME

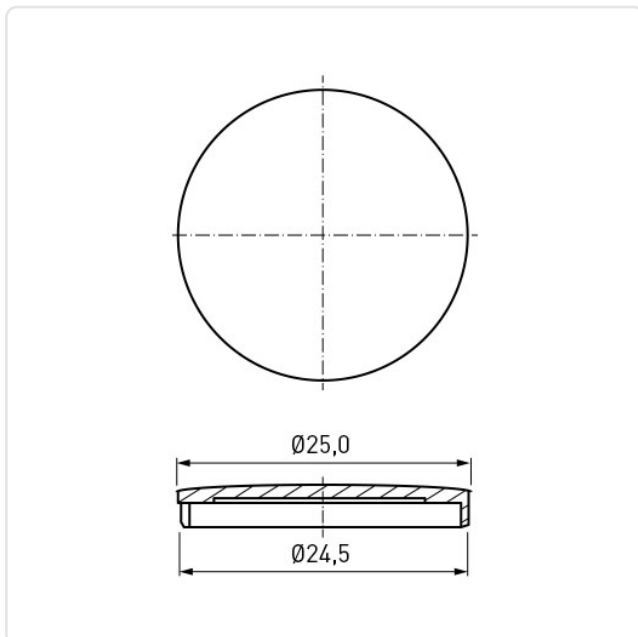


Image may be similar

Color: Yellow  
Material: PA 6.0  
Material Group: Plastic  
Model: Cap for COM Knob  
Outer Diameter [mm]: 31  
Weight: 0.9g  
Conformities:



You can find all  
information on the web on  
our article detail page



Would you like individual advice?

We look forward to your email to [products@ettinger.de](mailto:products@ettinger.de).

Subject to change and errors.