

Article datasheet

9 Volt Vertical Snap-On Steel nickel-plated with fibre plate

Article-No.: 015.84.903



Battery Type: 9V-Block

Weight: 1.34g

Conformities:

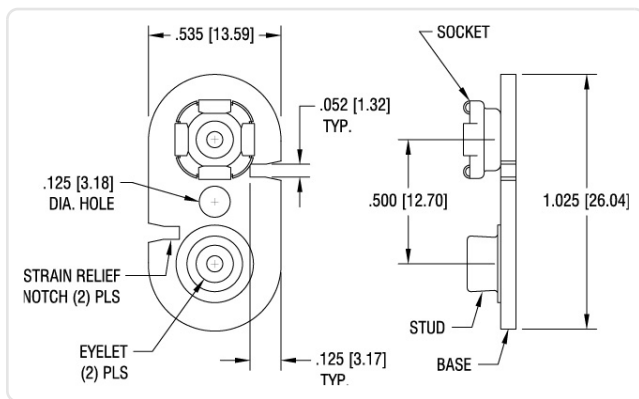


You can find all
information on the web on
our article detail page

Would you like individual advice?

We look forward to your email to products@ettinger.de.

Image may be similar



Subject to change and errors.