

Article datasheet

## End-Sleeve DIN 46228 1.5mm<sup>2</sup> 7mm E-Copper tinned

Article-No.: 018.90.155

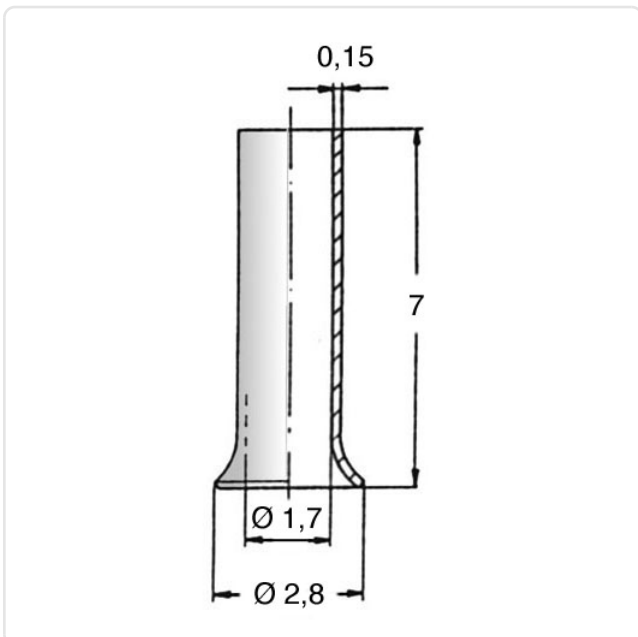


Image may be similar

Color:	Silver
Finish:	Tin-Plated
Length [mm]:	7
Material:	Electrolytic Copper
Material Group:	Copper
Wire Cross Section [mm <sup>2</sup> ]:	1.5
Weight:	0.06g
Conformities:	



You can find all  
information on the web on  
our article detail page



Would you like individual advice?

We look forward to your email to [products@ettinger.de](mailto:products@ettinger.de).

Subject to change and errors.