

Article datasheet

## Rivet Threaded for sheet thickness: 1,3 - 1,6 mm

Article-No.: 005.60.836

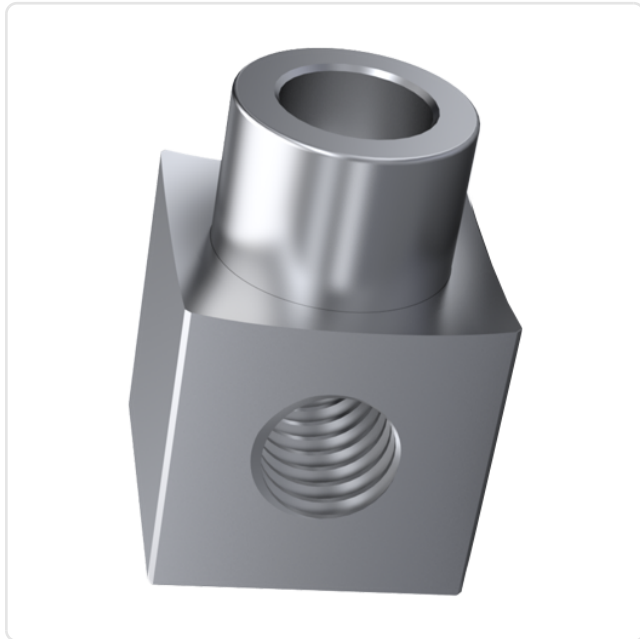
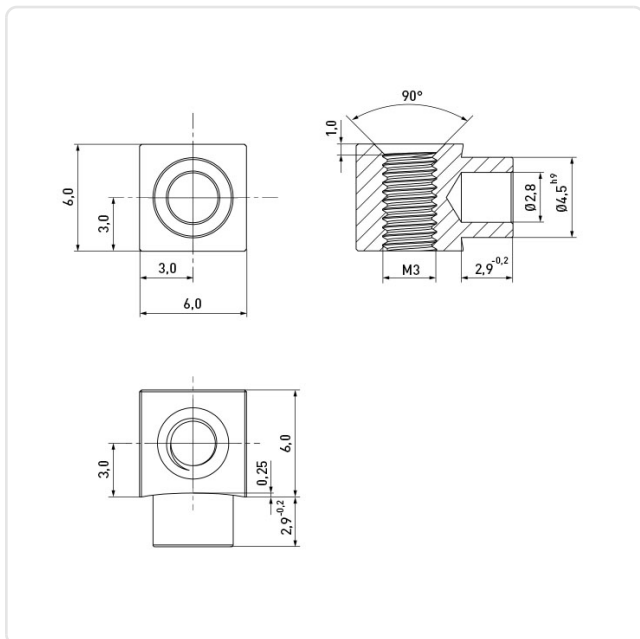


Image may be similar

Finish:	Plain
Length [mm]:	8.9
Material:	Aluminum ENAW-5754 / AlMg3, lead-free
Panel Thickness [mm]:	1,3 - 1,6
Thread 1 / Hole 1:	M3
Thread 1 Length [mm]:	6
Thread 2 / Hole 2:	Ø 2,8
Thread 2 Length [mm]:	2.9
Weight:	0.57g
Conformities:	



You can find all information on the web on our article detail page

Would you like individual advice?

We look forward to your email to [products@ettinger.de](mailto:products@ettinger.de).

Subject to change and errors.