

Article datasheet

## Contact Washer $\varnothing 6.1/12.2 \times 1.2$ White Galv. Spring Steel

Article-No.: 003.20.061

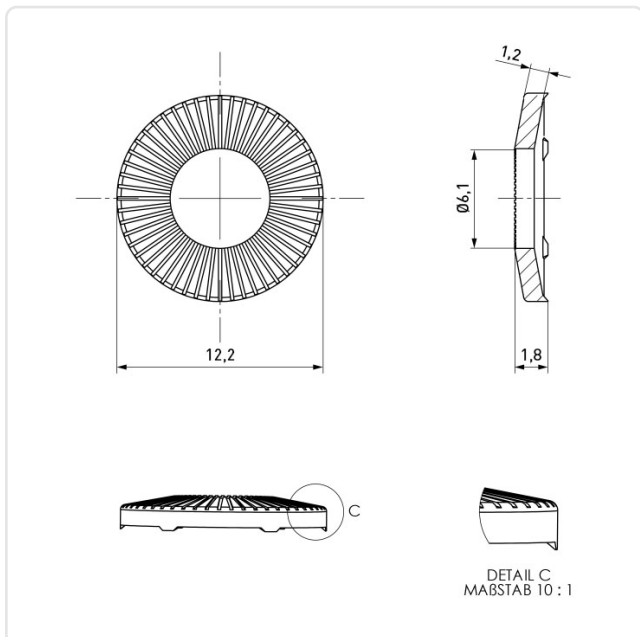


Image may be similar

Finish: Galvanized, White, 15–25  $\mu\text{m}$   
For Thread Size: M6  
Height [mm]: 1.2  
Inner Diameter [mm]: 6.1  
Material: Spring Steel  
Material Group: Steel  
Outer Diameter [mm]: 12.2  
Weight: 0.74g  
Conformities:



You can find all information on the web on our article detail page



Would you like individual advice?

We look forward to your email to [products@ettinger.de](mailto:products@ettinger.de).

Subject to change and errors.