

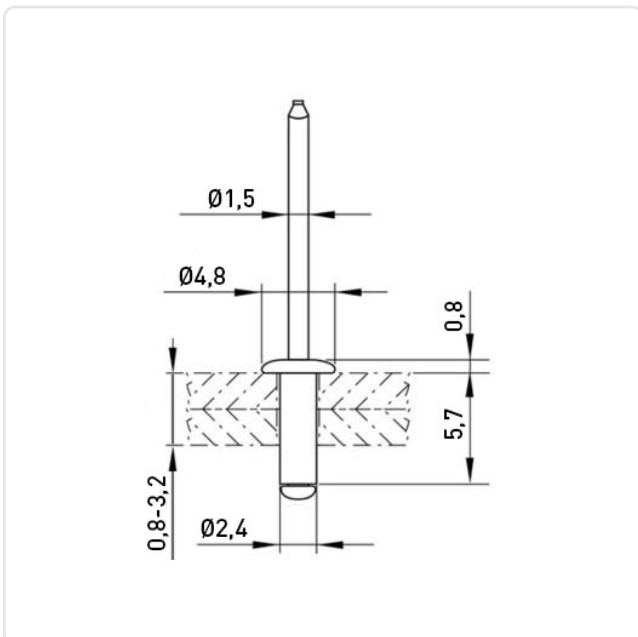
Article datasheet

Blind Rivet Ø2.4x5.7 Aluminum Shell / Aluminum Mandrel

Article-No.: 001.08.238



Image may be similar



Finish:	Plain
Head Diameter [mm]:	4.8
Length [mm]:	5.7
Mandrel Diameter [mm]:	1.5
Material:	Aluminum Shell / Aluminum Mandrel
Mounting Hole [mm]:	2.5
Panel Thickness [mm]:	0,8-3,2
Rivet Diameter [mm]:	2.4
Weight:	0.2g
Conformities:	



You can find all information on the web on our article detail page

Would you like individual advice?

We look forward to your email to products@ettinger.de.

Subject to change and errors.