

Article datasheet

Raspberry Pi Case for Model B+ / 2B translucent blue

Article-No.: 048.70.202

Manufacturer: Hammond

Manufacturer article-no.: 1593HAMPI2TBU

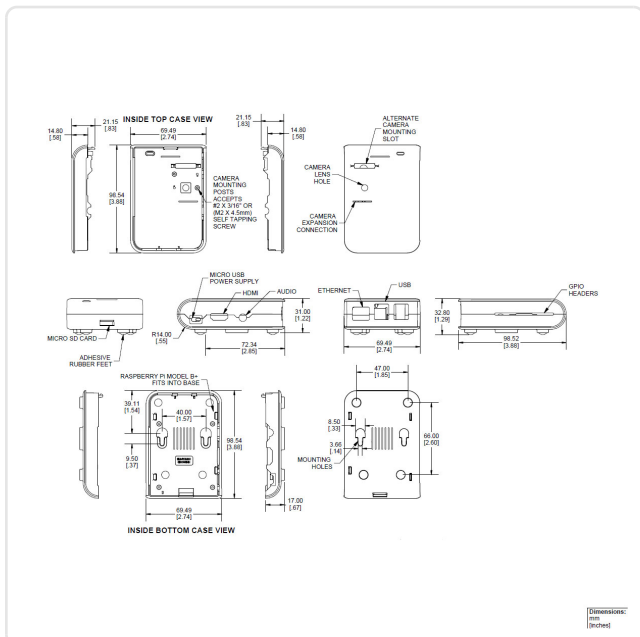


Image may be similar

Color: Blue
 Height [mm]: 29.6
 Length [mm]: 98.5
 Material: ABS - Acrylonitrile Butadiene Styrene
 Material Group: Plastic
 Width [mm]: 69.5
 Weight: 52g
 Conformities:



You can find all information on the web on our article detail page



Would you like individual advice?

We look forward to your email to products@ettinger.de.

Subject to change and errors.