

Article datasheet

Cable Glands with antikink PG11 clamping range 4-10 PA grey

Article-No.: 014.20.058

Manufacturer: LAPP

Manufacturer article-no.: 53015620

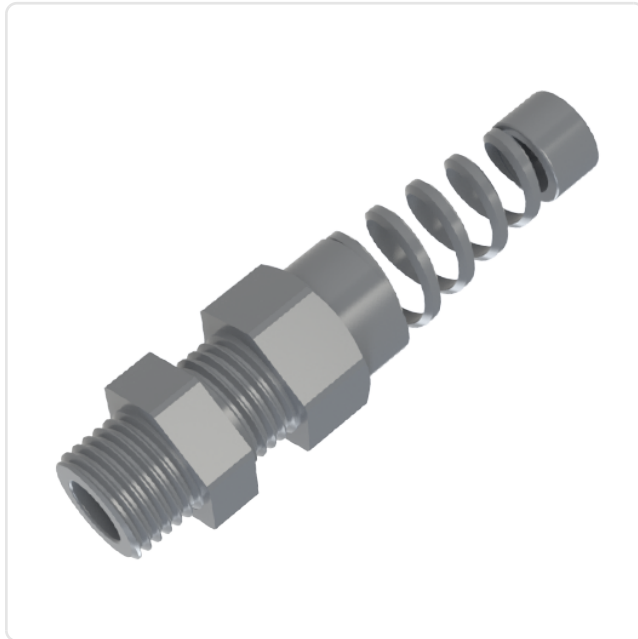
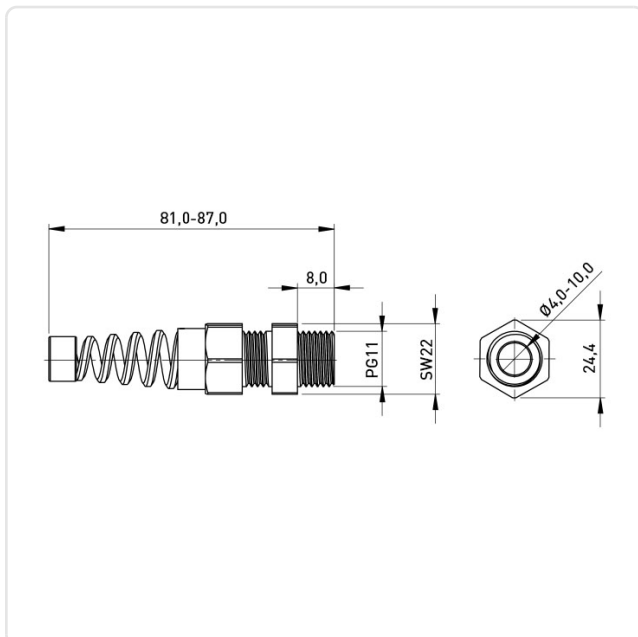


Image may be similar

AF / OD [mm]:	22
Color:	Gray
Material:	PA 6.0
Material Group:	Plastic
Model:	With Bend Protection
Mounting Hole [mm]:	19
Panel Thickness Range [mm]:	4.0-10.0
Protection Code:	IP68
Thread Size:	PG11
Weight:	15.72g
Conformities:	



You can find all information on the web on our article detail page



Would you like individual advice?

We look forward to your email to products@ettinger.de.

Subject to change and errors.