




Article datasheet

Split Washer DIN7980 Ø3.1/5.6 x 1.0 A4 Plain Stainless Steel

Article-No.: 003.68.039

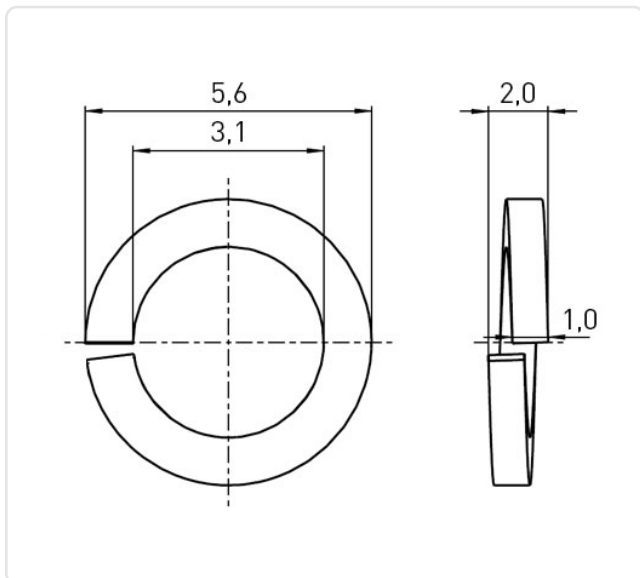


Image may be similar

DIN/ISO:	DIN7980
Finish:	Plain
For Thread Size:	M3
Height [mm]:	1
Inner Diameter [mm]:	3.1
Material:	Stainless Steel AISI 316 / A4
Material Group:	Stahl rostfrei
Outer Diameter [mm]:	5.6
Weight:	0.11g
Conformities:	  



You can find all
information on the web on
our article detail page



Would you like individual advice?

We look forward to your email to products@ettinger.de.

Subject to change and errors.