

Article datasheet

Batteryholder 1x "AA" Mignon cell Polyamid 6.0 UL94-HB 2.8x0.5mm

Article-No.: 015.31.466

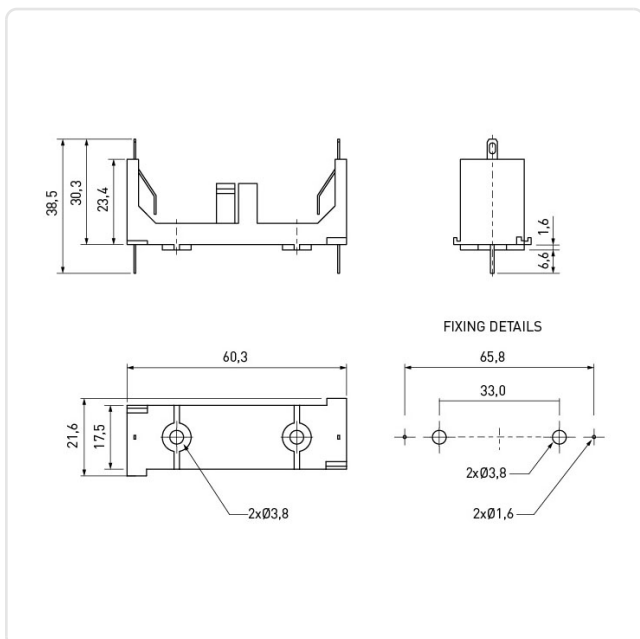


Image may be similar

Battery Type: AA-Mignon
 Material: PA 6.0 25% GF
 Material Group: Plastic
 Model: PCB Mounting Connection
 No. Cells: 1
 Weight: 9.8g
 Conformities:



You can find all information on the web on our article detail page



Would you like individual advice?

We look forward to your email to products@ettinger.de.

Subject to change and errors.