

Article datasheet

Ceramic Solder Terminal M3x8mm with Solder Eyelets tinned

Article-No.: 013.80.030

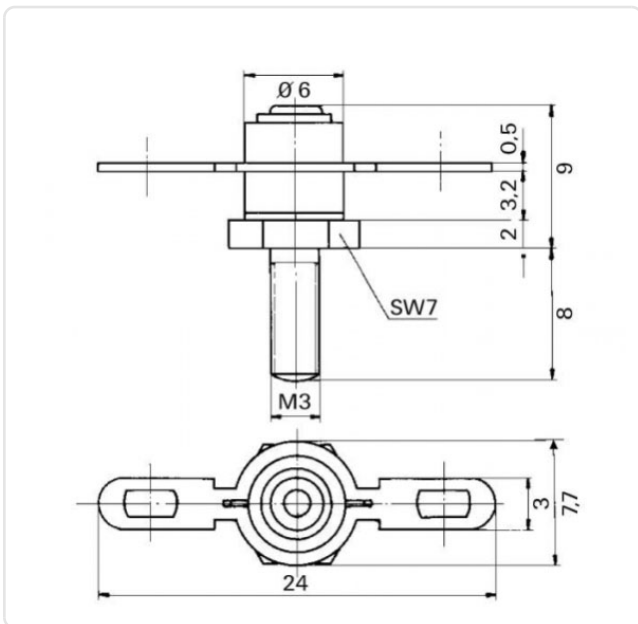


Image may be similar

Diameter [mm]: 6
Finish: Tin-Plated
Grid [mm]: 6.0
Length [mm]: 8.5
Material: Ceramic C221
PCB Hole Ø [mm]: 3.2
Weight: 1.86g
Conformities:



You can find all information on the web on our article detail page



Would you like individual advice?

We look forward to your email to products@ettinger.de.

Subject to change and errors.