

Article datasheet

Cable Gland cover for PG 11 $\varnothing 20 \times 9,0 \text{mm}$ /Brass nickel plated

Article-No.: 014.36.113

Manufacturer: LAPP

Manufacturer article-no.: 52003400

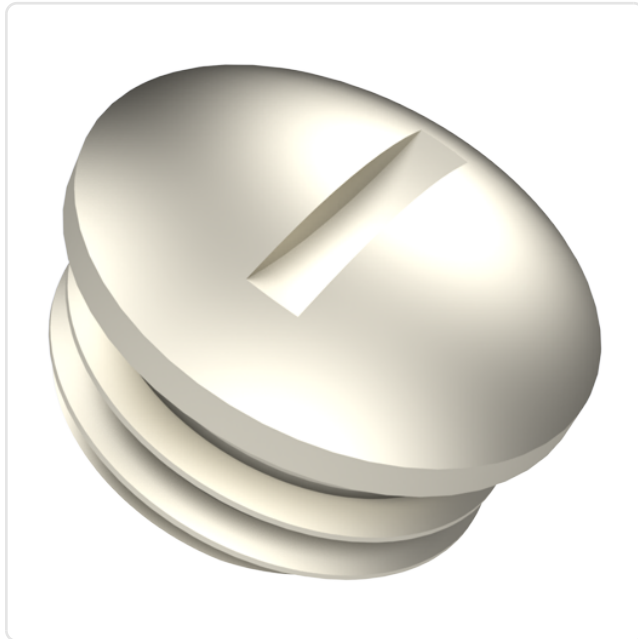
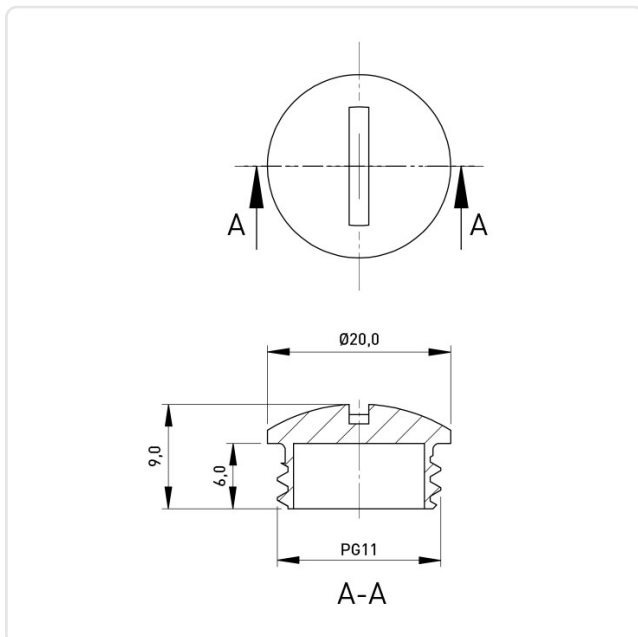


Image may be similar

Height [mm]: 9
Material: Brass
Material Group: Brass
Model: Plug Screw
Thread Size: PG11
Weight: 7.44g
Conformities:



You can find all information on the web on our article detail page



Would you like individual advice?

We look forward to your email to products@ettinger.de.

Subject to change and errors.