

Article datasheet

Pin Connector $\varnothing 4.0\text{mm}/0.5\text{-}1.5\text{mm}^2$ PVC,red UL-listed E329382

Article-No.: 012.50.142

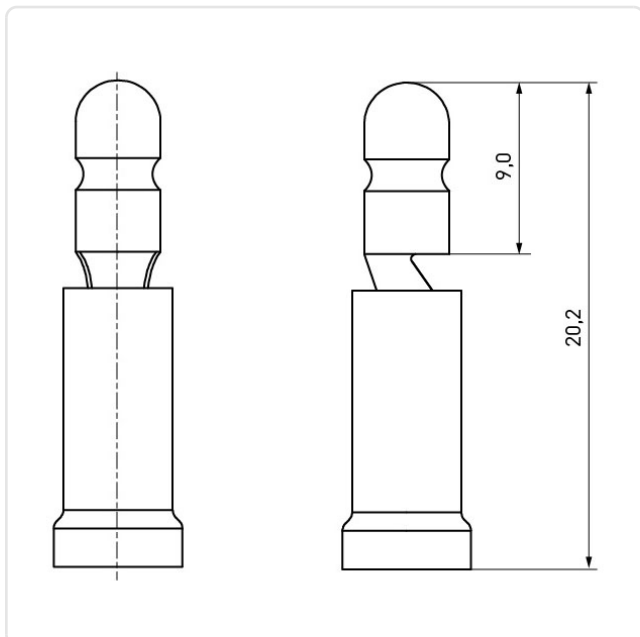


Image may be similar

Color:	Red
Finish:	Tin-Plated
Insulation:	PVC
Length [mm]:	20.2
Material:	Brass
Wire Cross Section [mm ²]:	0.5-1.5
Weight:	0.84g
Conformities:	



You can find all information on the web on our article detail page



Would you like individual advice?

We look forward to your email to products@ettinger.de.

Subject to change and errors.