

Article datasheet

Nut cover for round knob \varnothing 16 mm

Article-No.: 041.16.610

Manufacturer: OKW Gehäusesysteme

Manufacturer article-no.: A75.16.010

OKW
GEHÄUSE
SYSTEME

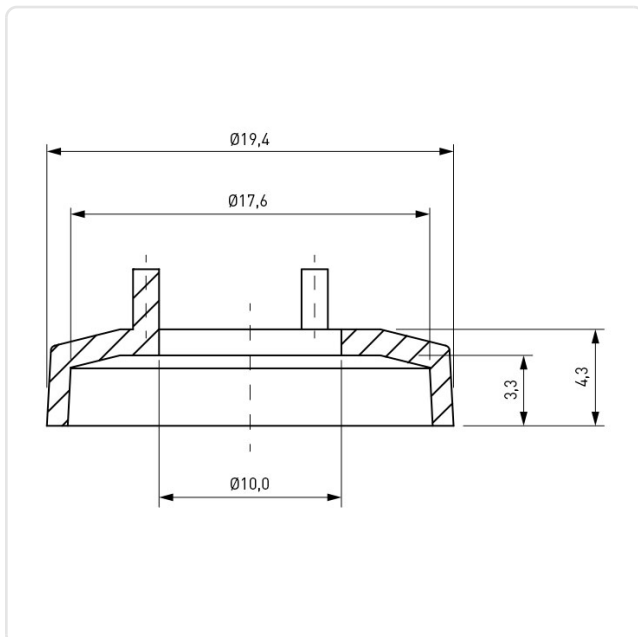


Image may be similar

Color: Black
Marking: Line
Material: ABS - Acrylonitrile Butadiene Styrene
Material Group: Plastic
Model: Nut Cover for Combination Knob
Outer Diameter [mm]: 16
Weight: 0.35g
Conformities:



You can find all
information on the web on
our article detail page



Would you like individual advice?

We look forward to your email to products@ettinger.de.

Subject to change and errors.