

Article datasheet

Flanged Bearing $\varnothing 16/20/28 \times 22-2.5 \text{mm}$ Polyamid 6.6 natural UL94-V2

Article-No.: 005.99.166

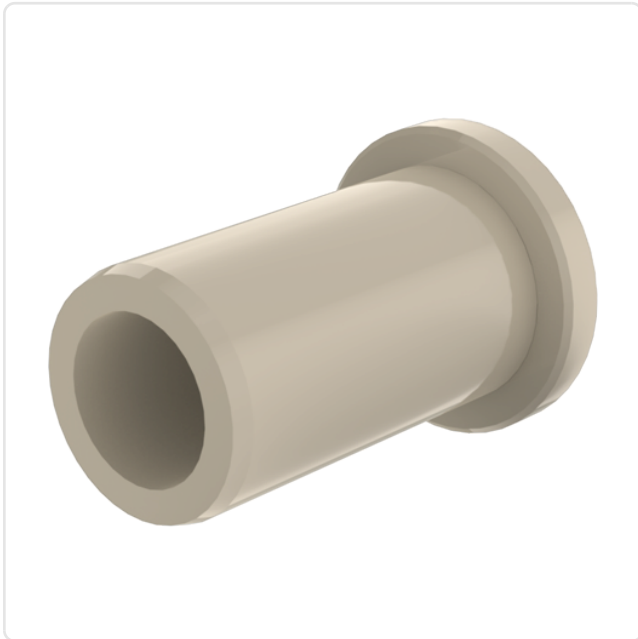


Image may be similar

Color:	Natural
Flammability Class:	UL94-V2
Inner Diameter [mm]:	16
Length [mm]:	22
Lug Diameter [mm]:	20
Material:	PA 6.6
Material Group:	Plastic
Model:	With High Lug
Outer Diameter [mm]:	28
Weight:	3.66g
Conformities:	



You can find all
information on the web on
our article detail page

Would you like individual advice?

We look forward to your email to products@ettinger.de.

Subject to change and errors.

