

Article datasheet

Blade Terminal 2.8x0.8 | 90° | ø3.2 Tin-Plated Brass

Article-No.: 019.28.332

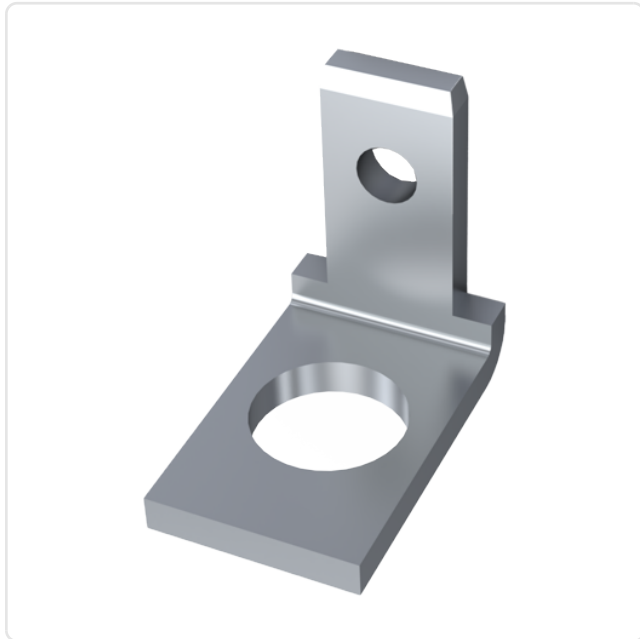


Image may be similar

Bending Angle [°]:	90
Finish:	Tin-Plated
Material:	Brass
Material Group:	Brass
Mounting Hole [mm]:	3.2
Plug-In Length [mm]:	5
Size [mm]:	2.8x0.8
Tabs:	1
Weight:	0.26g
Conformities:	



You can find all information on the web on our article detail page

Would you like individual advice?

We look forward to your email to products@ettinger.de.

Subject to change and errors.

