

Article datasheet

Blade Terminal 8x 6.3x0.8 | 90° Plain Stainless Steel 1.4301

Article-No.: 019.68.049

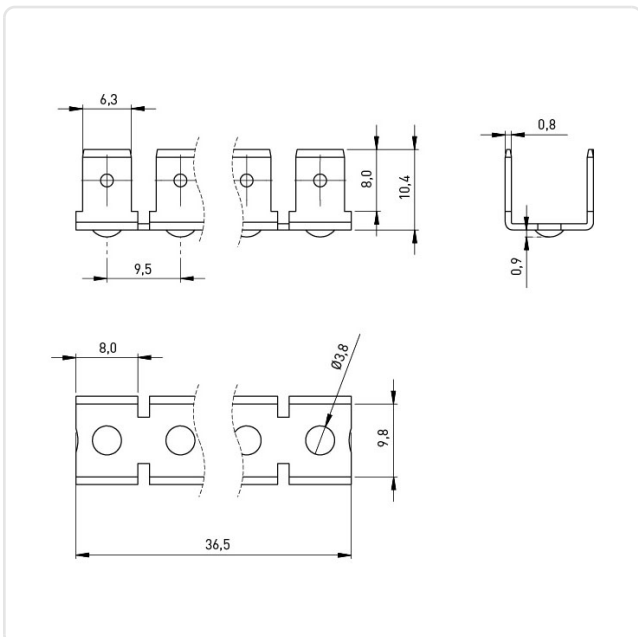


Image may be similar

Bending Angle [°]:	90
Finish:	Plain
Material:	Stainless Steel AISI 304 / X5CrNi18-10
Plug-In Length [mm]:	8
Size [mm]:	6.3x0.8
Tabs:	8
Weight:	5.08g
Conformities:	<div style="display: flex; gap: 10px;"> <div style="border: 1px solid green; padding: 2px; text-align: center; color: green;">Reach COMPLIANT</div> <div style="border: 1px solid green; padding: 2px; text-align: center; color: green;">RoHS COMPLIANT</div> <div style="border: 1px solid green; padding: 2px; text-align: center; color: green;">SVHC COMPLIANT</div> </div>



You can find all information on the web on our article detail page



Would you like individual advice?

We look forward to your email to products@ettinger.de.

Subject to change and errors.