

Article datasheet

Hand Held Miniature 1551 Series / IP 54 black / 35 x 20 x 35 mm

Article-No.: 097.52.100

Manufacturer: Hammond

Manufacturer article-no.: 1551MFLBK

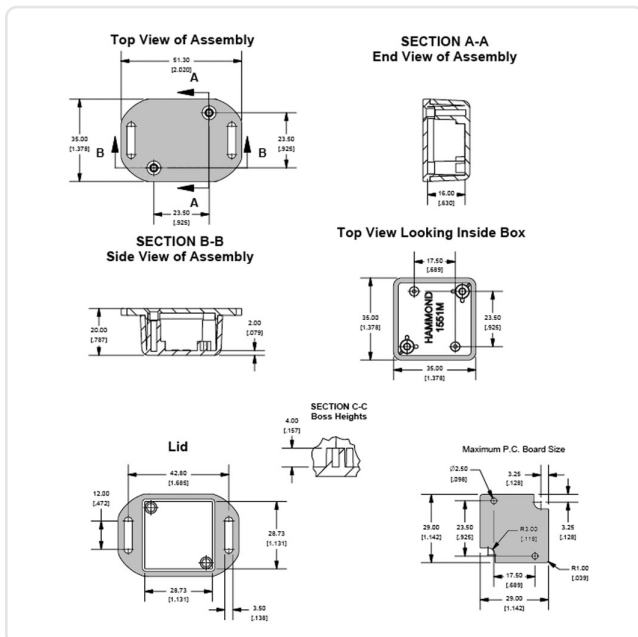


Image may be similar

Color: Black
 Flammability Class: UL94-HB
 Height [mm]: 20
 Length [mm]: 35
 Material: ABS - Acrylonitrile Butadiene Styrene
 Material Group: Plastic
 Protection Code: IP54
 Width [mm]: 35
 Weight: 14.91g
 Conformities:



You can find all information on the web on our article detail page



Would you like individual advice?

We look forward to your email to products@ettinger.de.

Subject to change and errors.