

Article datasheet

Combination Nut M6 Galvanized Steel Rotatable Washer

Article-No.: 002.09.116

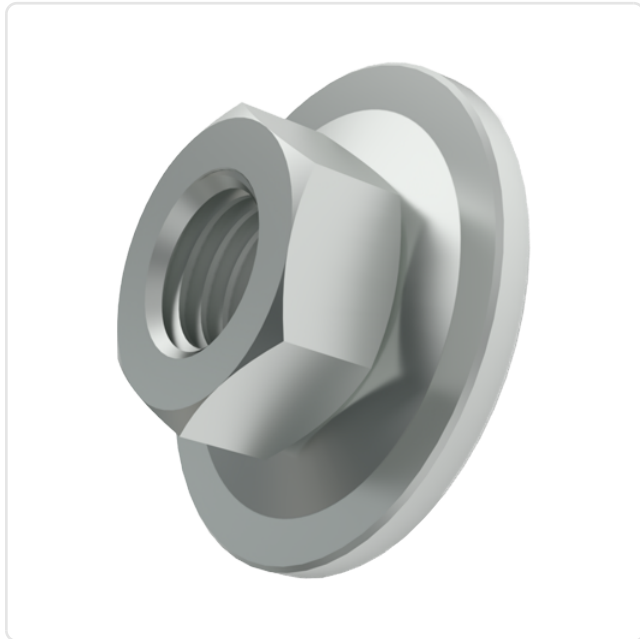
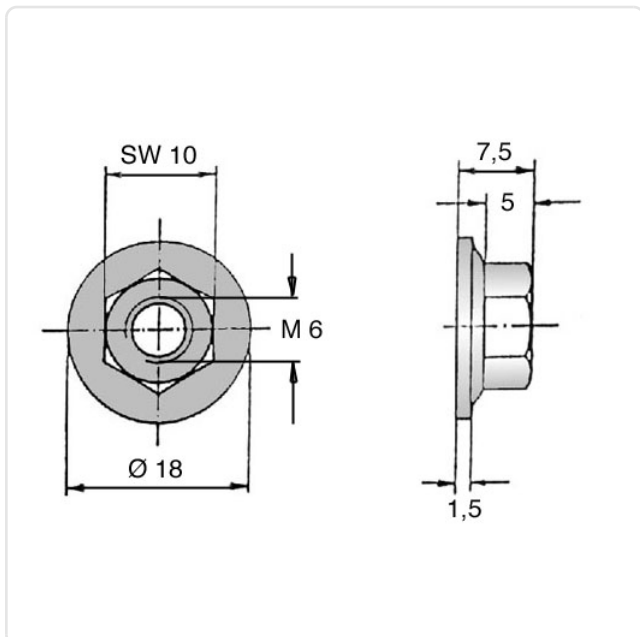


Image may be similar

AF / OD [mm]: 10
Finish: Galvanized, Blue, 5 µm, A2K
Height [mm]: 7.5
Material: Steel
Material Group: Stahl
Thread Size: M6
Weight: 4.6g
Conformities:



You can find all
information on the web on
our article detail page



Would you like individual advice?

We look forward to your email to products@ettinger.de.

Subject to change and errors.