

Article datasheet

## Toothed Lock Washer Ø3.1/8.5 x 0.5 Alkaline Galv. Spring Ste

Article-No.: 003.38.034

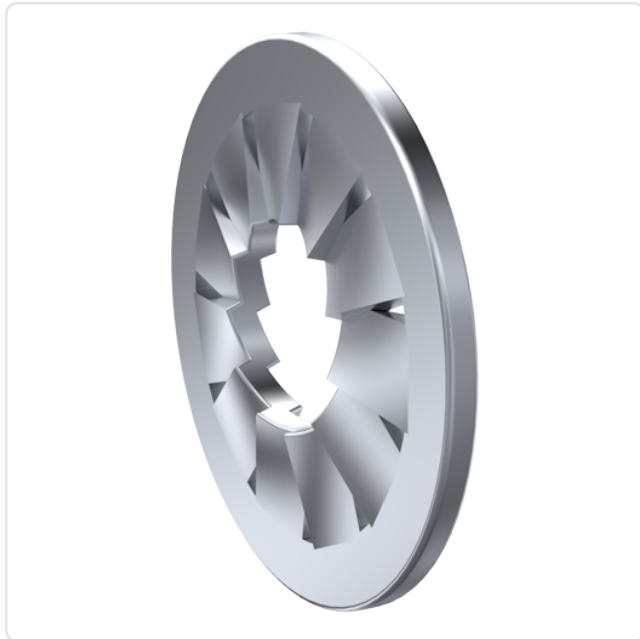
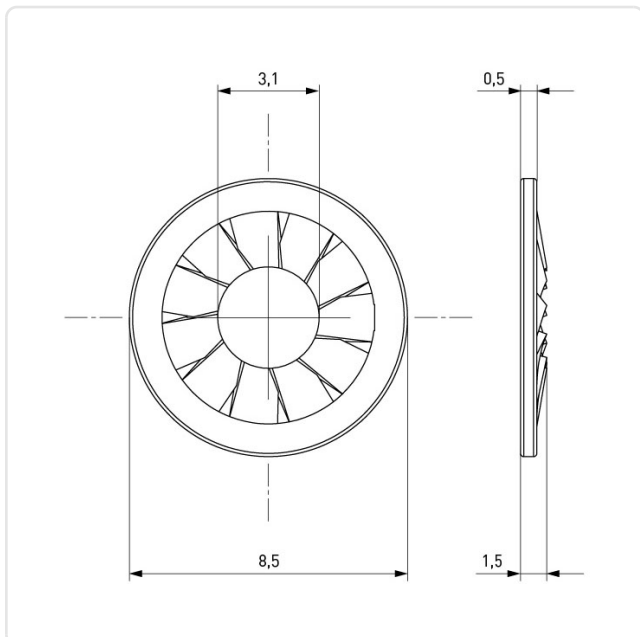


Image may be similar

Finish: Alkaline Galvanized 8 µm  
For Thread Size: M3  
Height [mm]: 0.5  
Inner Diameter [mm]: 3.1  
Material: Spring Steel  
Material Group: Steel  
Outer Diameter [mm]: 8.5  
Weight: 0.2g  
Conformities:



You can find all information on the web on our article detail page



Would you like individual advice?

We look forward to your email to [products@ettinger.de](mailto:products@ettinger.de).

Subject to change and errors.