

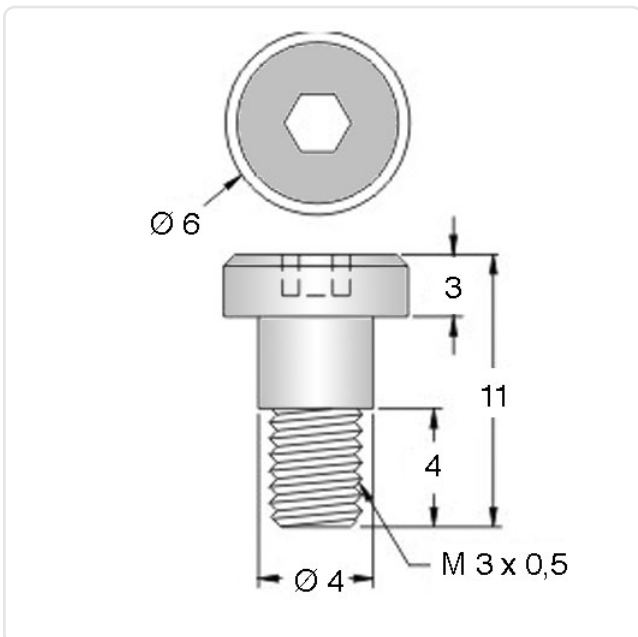
Article datasheet

## Collar Screw M3 x 8 A1 Plain Stainless Steel Hex Socket

Article-No.: 001.73.440



Image may be similar



Actuator Size:	Hexagon Socket Hex2.5
Drive Type:	Hexagon Socket
Finish:	Plain
Head Diameter [mm]:	6
Head Height [mm]:	3
Length [mm]:	8
Material:	Stainless Steel AISI 303 / A1
Material Group:	Stainless Steel
Reduced Shank Length [mm]:	4
Thread Size:	M3
Weight:	1.18g
Conformities:	



You can find all information on the web on our article detail page

Would you like individual advice?

We look forward to your email to [products@ettinger.de](mailto:products@ettinger.de).

Subject to change and errors.