

Article datasheet

Hexagon Nut DIN439/ISO4035 M3 Galvanized Steel 4.8

Article-No.: 002.09.031

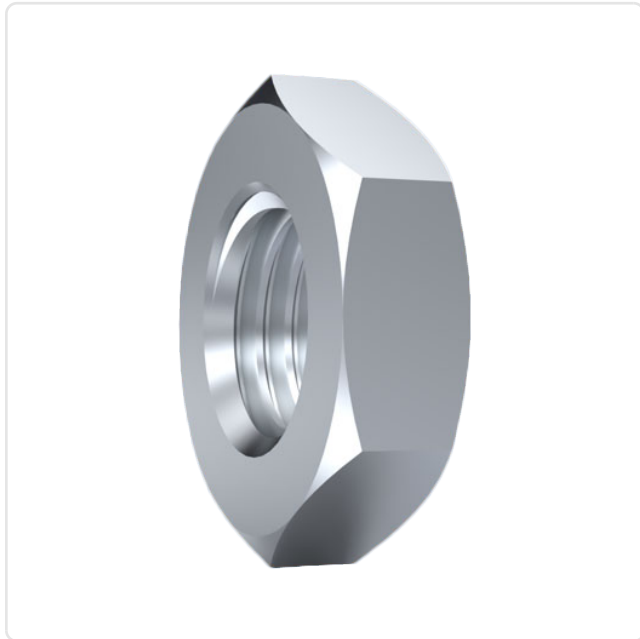
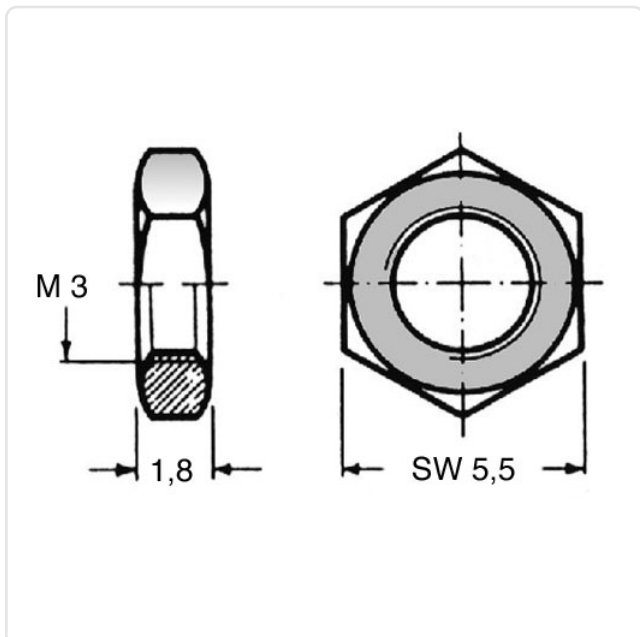


Image may be similar

AF / OD [mm]: 5.5
DIN/ISO: DIN439 / ISO4035
Finish: Galvanized, Blue, 5 µm, A2K
Height [mm]: 1.8
Material: Steel 4.8
Material Group: Stahl
Thread Size: M3
Weight: 0.24g
Conformities:



You can find all information on the web on our article detail page



Would you like individual advice?

We look forward to your email to products@ettinger.de.

Subject to change and errors.