

Article datasheet

Universal Mounting Strap \varnothing 25.4mm Polyamid 6.6 black UL94-HB

Article-No.: 072.76.320

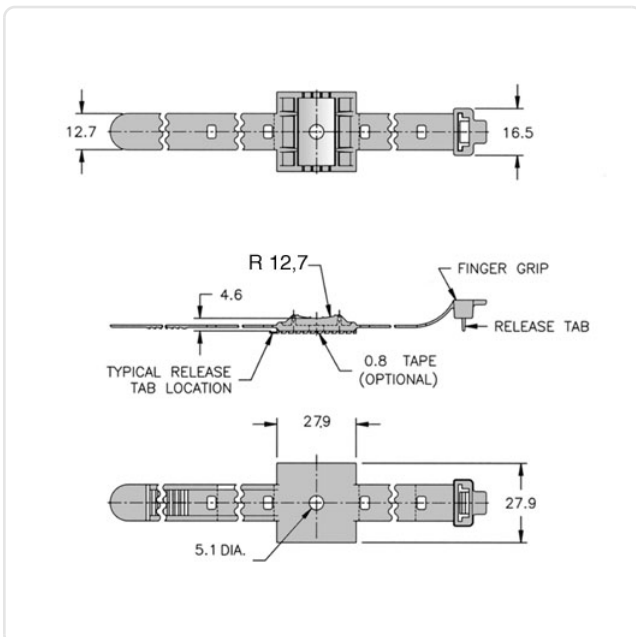


Image may be similar

Bundle Diameter [mm]: 10,0-25,0
 Color: Black
 Material: PA 6.6
 Mounting Hole [mm]: 5.1
 Panel Thickness [mm]: Zahnband
 Width [mm]: 27.9
 Weight: 4.3g
 Conformities:



You can find all information on the web on our article detail page



Would you like individual advice?

We look forward to your email to products@ettinger.de.

Subject to change and errors.