

Article datasheet

Solder tag DIN 41496 2A2 Brass tinned hole \varnothing 2.2mm

Article-No.: 019.05.225

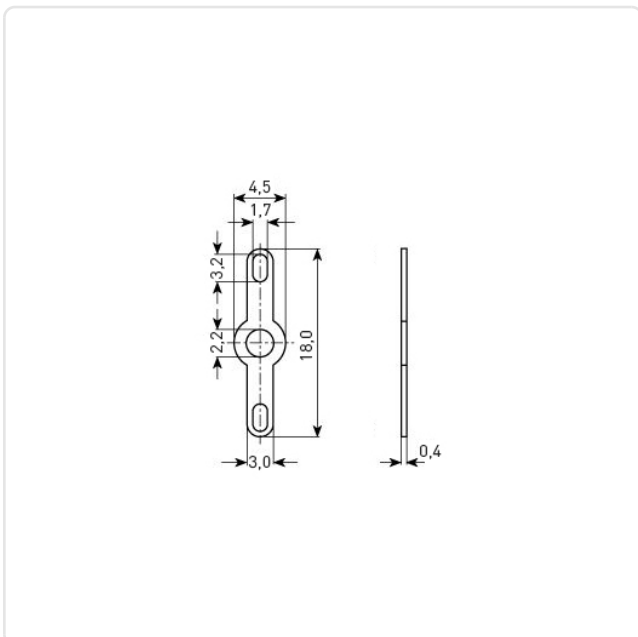


Image may be similar

DIN/ISO: DIN41496
Finish: Tin-Plated
Inner Diameter [mm]: 2.2
Length [mm]: 18
Material: Brass
Material Group: Brass
Weight: 0.22g
Conformities:



You can find all
information on the web on
our article detail page



Would you like individual advice?

We look forward to your email to products@ettinger.de.

Subject to change and errors.