

Article datasheet

Coincell Holder for 2x $\varnothing 24 \times 3$ mm cells PBT black UL94-V0 E45587

Article-No.: 015.61.242

Manufacturer: Keystone Electronics

Manufacturer article-no.: 1025

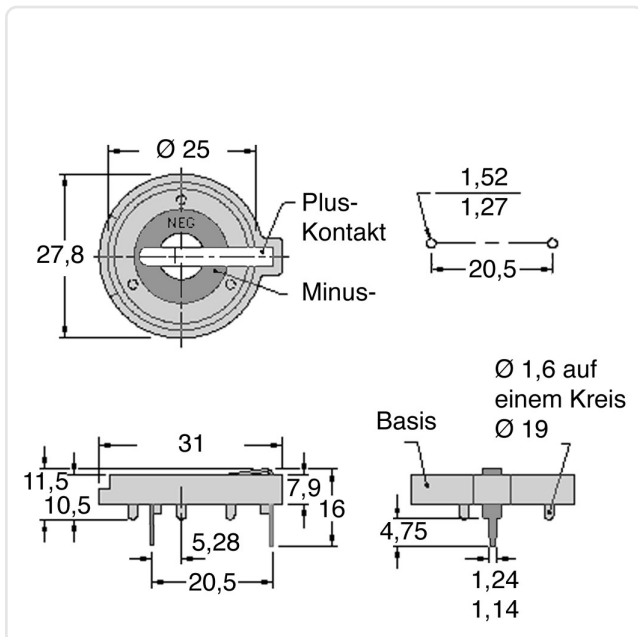


Image may be similar

Battery Type: Cell Dia. 24mm
 Cell diameter [mm]: $\varnothing 24.0$
 Finish: Nickel-Plated, 3 μm , E1E
 Flammability Class: UL94-V0
 Height [mm]: 7.3
 Material: PBT - Polybutylene Terephthalate
 Material Group: Plastic
 Model: PCB Mounting Connection
 No. Cells: 2
 Weight: 3.35g
 Conformities:



You can find all information on the web on our article detail page



Would you like individual advice?

We look forward to your email to products@ettinger.de.

Subject to change and errors.