

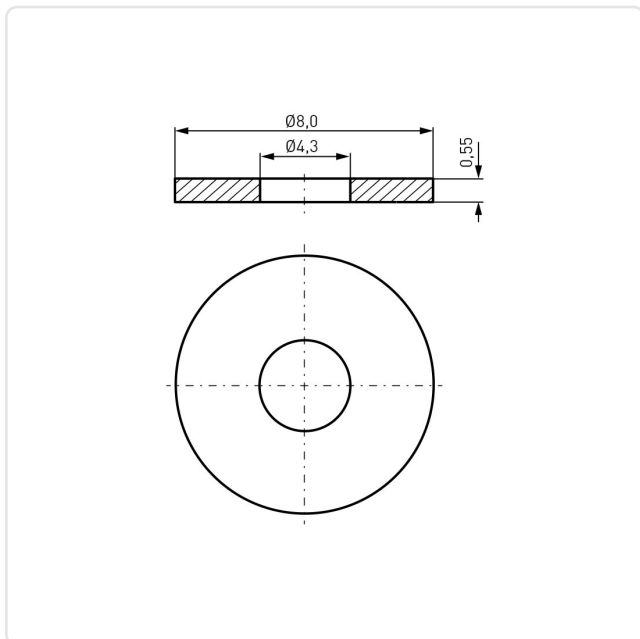
Article datasheet

Flat Washer DIN433/ISO7092 $\varnothing 4.3/8.0 \times 0.5$ Galvanized Steel

Article-No.: 003.01.041



Image may be similar



DIN/ISO:	DIN433 / ISO7092
Finish:	Galvanized, Blue, 5 μm , A2K
For Thread Size:	M4
Height [mm]:	0.5
Inner Diameter [mm]:	4.3
Material:	Steel
Material Group:	Stahl
Outer Diameter [mm]:	8
Weight:	0.12g
Conformities:	



You can find all
information on the web on
our article detail page

Would you like individual advice?

We look forward to your email to products@ettinger.de.

Subject to change and errors.