

Article datasheet

## Fan Sleeve Fast Mounting 80x80mm TPE,black/panel 0.75-1.25mm

Article-No.: 059.44.130

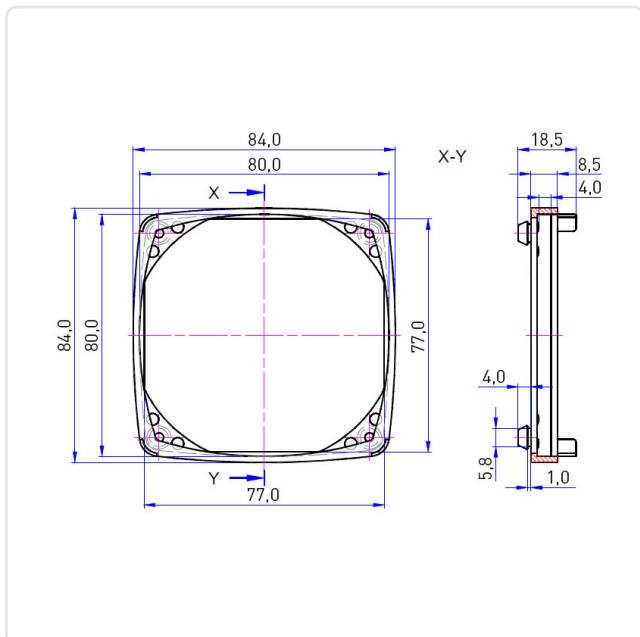


Image may be similar

Color: Black  
Lüftergröße [mm]: 80  
Material: TPE - Thermoplastic Elastomer  
Material Group: Plastic  
Model: Sleeve for Fans  
Weight: 13.45g  
Conformities:



You can find all information on the web on our article detail page



Would you like individual advice?

We look forward to your email to [products@ettinger.de](mailto:products@ettinger.de).

Subject to change and errors.