

Article datasheet

## Round Spacer $\varnothing 4.1/6.3 \times 3.0$ PA 6.6 natural Self-Retaining

Article-No.: 007.83.031

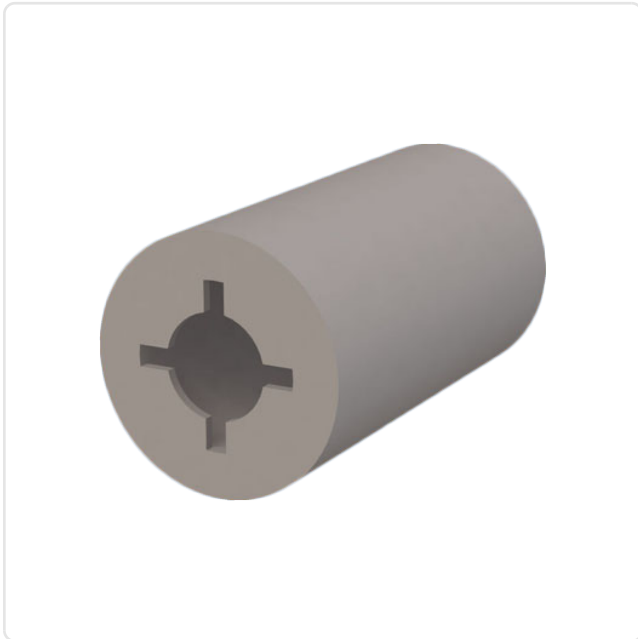


Image may be similar

Color: Natural  
Flammability Class: UL94-V2  
For Thread Size: M3.5  
Inner Diameter [mm]: 4.1  
Length [mm]: 3  
Material: PA 6.6  
Material Group: Plastic  
Outer Diameter [mm]: 6.3  
Weight: 0.08g  
Conformities:



You can find all  
information on the web on  
our article detail page

Would you like individual advice?

We look forward to your email to [products@ettinger.de](mailto:products@ettinger.de).

Subject to change and errors.

