

Article datasheet

## LED-Mount 2.4/5.1x 4.0mm PVC black UL94-V0

Article-No.: 063.11.040

Manufacturer: BIVAR

Manufacturer article-no.: ERM 1-4MM

**BIVAR**

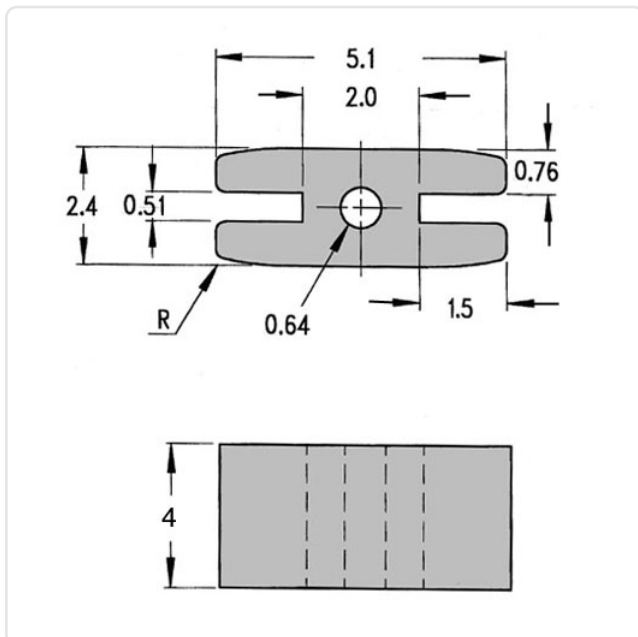


Image may be similar

Color: Black  
Flammability Class: UL94-V0  
Length [mm]: 4  
Material: PVC - Polyvinyl Chloride  
Material Group: Plastic  
Width [mm]: 5.1  
Weight: 0.05g  
Conformities:



You can find all  
information on the web on  
our article detail page



Would you like individual advice?

We look forward to your email to [products@ettinger.de](mailto:products@ettinger.de).

Subject to change and errors.