

Article datasheet

Fast On Receptacle 2.8x0.8mm Brass tinned 0.5-1.0mm² AWG 22-18

Article-No.: 012.28.102

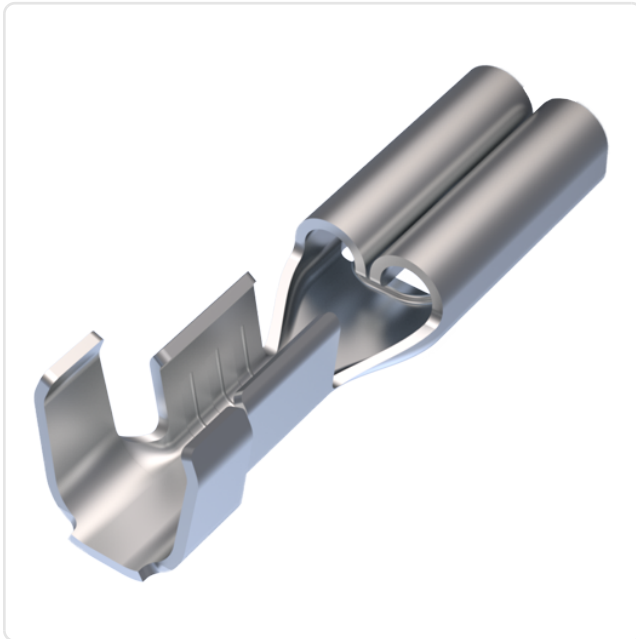
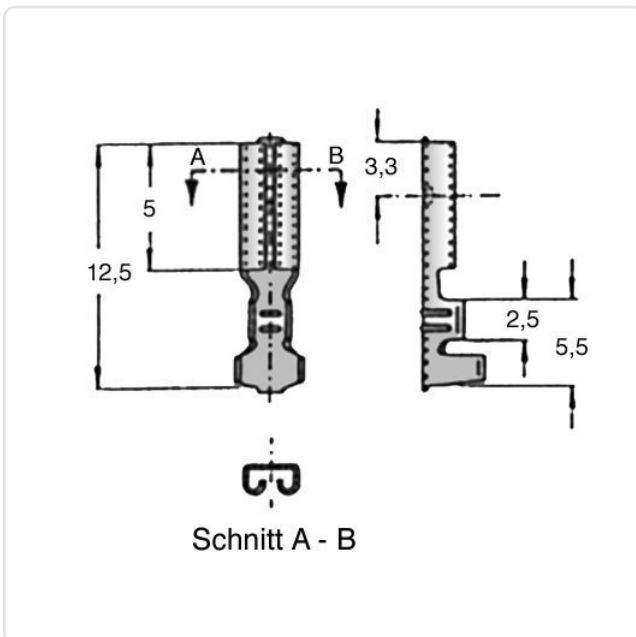


Image may be similar

Finish: Tin-Plated
Length [mm]: 12.5
Material: Brass
Material Group: Brass
Size [mm]: 2.8x0.8
Wire Cross Section [mm²]: 0.5-1.0
Weight: 0.25g
Conformities:



You can find all information on the web on our article detail page



Would you like individual advice?

We look forward to your email to products@ettinger.de.

Subject to change and errors.