

Article datasheet

## Solder Terminal Pin 3.0x11.3mm Brass tinned 0.6mm thick

Article-No.: 013.13.655

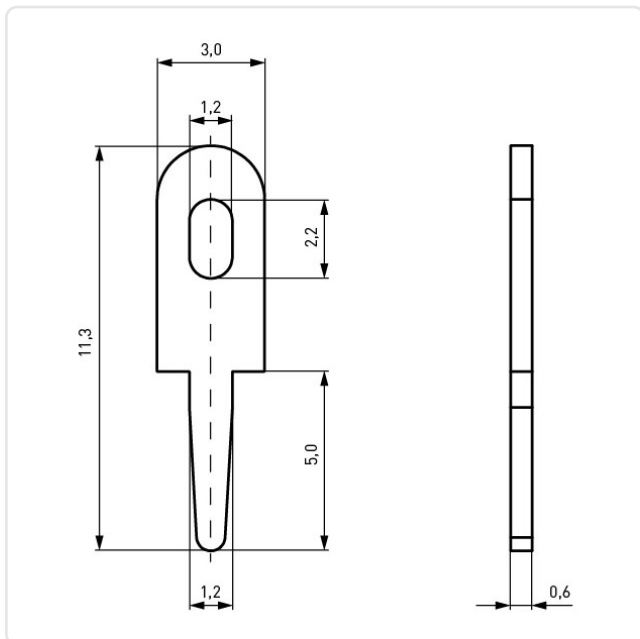


Image may be similar

Diameter [mm]:	3
Finish:	Tin-Plated
Length [mm]:	11.3
Material:	Brass CW508L / CuZn37, lead-free
Material Group:	Messing
Model:	flat
PCB Hole Ø [mm]:	1.2
Weight:	0.1g
Conformities:	



You can find all information on the web on our article detail page



Would you like individual advice?

We look forward to your email to [products@ettinger.de](mailto:products@ettinger.de).

Subject to change and errors.