

Article datasheet

Card Guide for 1/16" - 85mm PCB with locking device - PA6.6 UL94 V-0

Article-No.: 075.35.788

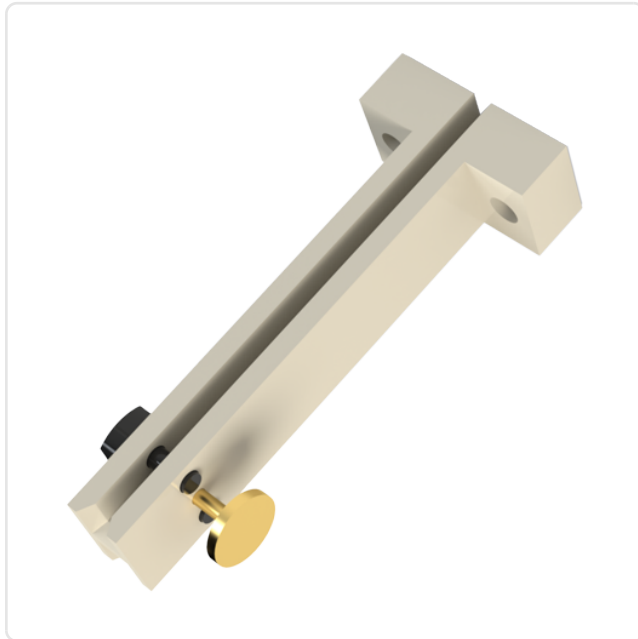
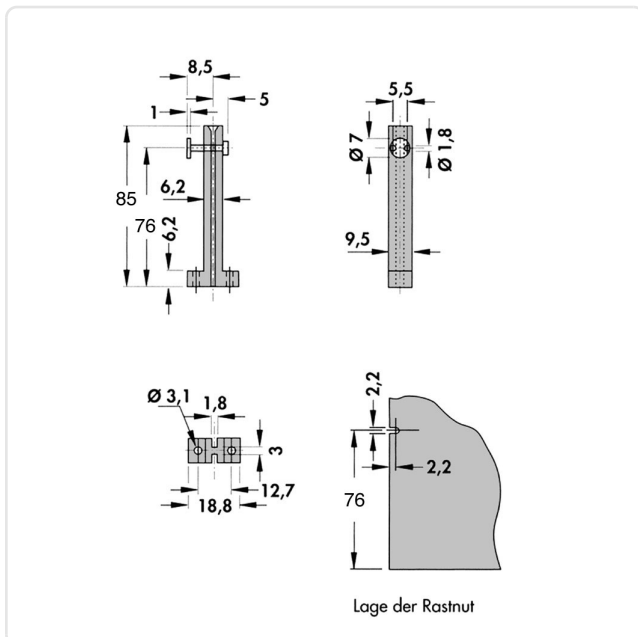


Image may be similar

Color:	Gray
Dist. Mounting Holes [mm]:	12.7
Flammability Class:	UL94-V0
Length [mm]:	85
Material:	PA 6.6
Model:	Screw Fastening
Width [mm]:	6.2
Weight:	0.65g
Conformities:	



You can find all information on the web on our article detail page



Would you like individual advice?

We look forward to your email to products@ettinger.de.

Subject to change and errors.