

Article datasheet

## Arrow disk for round knob $\varnothing$ 13 mm

Article-No.: 041.13.802

Manufacturer: OKW Gehäusesysteme

Manufacturer article-no.: A42.13.002

**OKW**  
GEHÄUSE  
SYSTEME

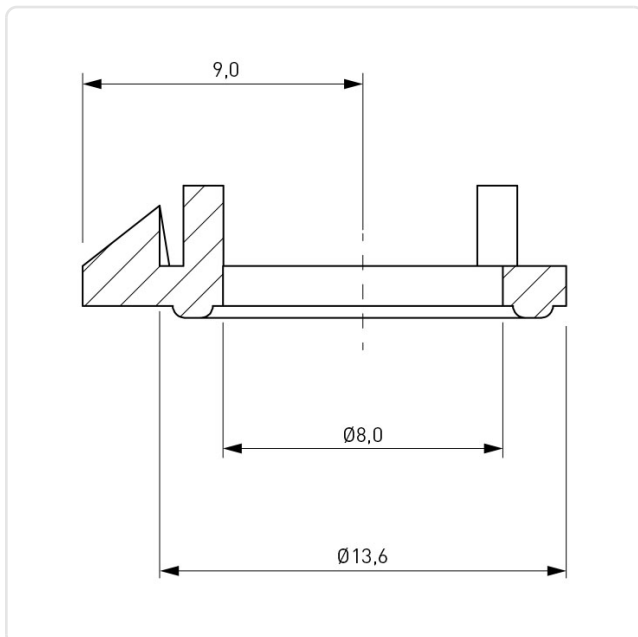


Image may be similar

Color: Red  
Marking: Arrow  
Material: ABS - Acrylonitrile Butadiene Styrene  
Material Group: Kunststoff  
Model: Arrow Disk for Combination Knob  
Outer Diameter [mm]: 13.6  
Weight: 0.12g  
Conformities:



You can find all  
information on the web on  
our article detail page



Would you like individual advice?

We look forward to your email to [products@ettinger.de](mailto:products@ettinger.de).

Subject to change and errors.